

BALANCE SYSTEM™ SD

PARTS AND ASSEMBLY ILLUSTRATIONS

950-440	System, Balance SD, 115 VAC 15.6" display
950-441	System, Balance SD, 230 VAC 15.6" display
950-444	System, Balance SD, 100 VAC 15.6" display
950-450	Optional FreeSway Handles



BIODEX

Biodes Medical Systems, Inc.

20 Ramsey Road, Shirley, New York, 11967-4704, Tel: 800-224-6339 (Int'l 631-924-9000), Fax: 631-924-9241, Email: info@biodes.com, www.biodes.com

BALANCE SYSTEM™ SD (version 4.x)

This document provides the parts and assembly illustrations and safety information for the Balance System SD.

Additional information and resources are available upon request or directly from the Biodex website: www.biodex.com/balance.

Here, the user can find information from compliance to clinical support, and if the desired information is not found, Biodex can be contacted directly at supportservices@biodex.com.

Thank you,

Biodex Medical Systems, Inc.

Contact information






















Manufactured by:

Biodex Medical Systems, Inc.
20 Ramsey Road, Shirley, New York, 11967-4704
Tel: 800-224-6339 (Int'l 631-924-9000)
Fax: 631-924-8355
email: supportservices@biodex.com
www.biodex.com

Definition of Symbols

The following symbols and their associated definitions are used and implied throughout this manual.

Symbol	Definition
	Carefully read these instructions prior to use
	Operating Instructions
	Caution
	General Warning
	General Mandatory Action
	Dangerous Voltage
	“On” Power
	“Off” Power
	Pinch Point
	Earth (ground)
	Alternating Current
	Fuse
	USB Connector/Cable
	Non-Ionizing Electromagnetic Radiation
	Waste in Electrical Equipment
	Disposal Classification and Identification of Equipment
	Date of Manufacture
	Manufactured By
	Type B Applied Part

WARNINGS AND CAUTIONS



CAUTION: Do not modify this equipment without authorization from the manufacturer. Unauthorized modifications to this system are not permitted and void the manufacturer's warranty. Unauthorized modification might result in a hazard to the user and/or patient.

IMPORTANT SAFETY INFORMATION



Read the entire operation manual. Failure to read the manual might result in user error or inaccurate data. Save all documents for reference.



WARNING

- Allow only qualified, trained personnel to operate or service this system.
- Do not use this system in a manner other than specified in this manual. If the equipment is used in a non-specified manner, the protection provided by the equipment might be impaired and results could be compromised.



WARNING: Never leave patient unattended.



This medical electrical equipment requires special precautions for EMC and must be installed and used according to EMC information located on the Biodex website (www.biodex.com).



WARNING: Only use approved power supplies.



CAUTION: Operation for: 115–230 VAC, 50/60 Hz.



CAUTION: To avoid risk of electric shock, this equipment must be connected only to supply mains with protective earth.



CAUTION: The plug is considered the method of disconnecting the system from main power. Do not place the system in a position where the plug cannot be reached quickly.



CAUTION: The system is intended to remain in one location during operation. To relocate the system, the system is disconnected from power source. One person can move the system. Use the wheels to move the system.



WARNING: Connecting electrical equipment to a multiple socket outlet (MSO) effectively leads to creating an ME SYSTEM, and can result in a reduced level of safety.

User Capacity: 60 lb (27 kg) – 400 lb (181 kg)

Operating Conditions

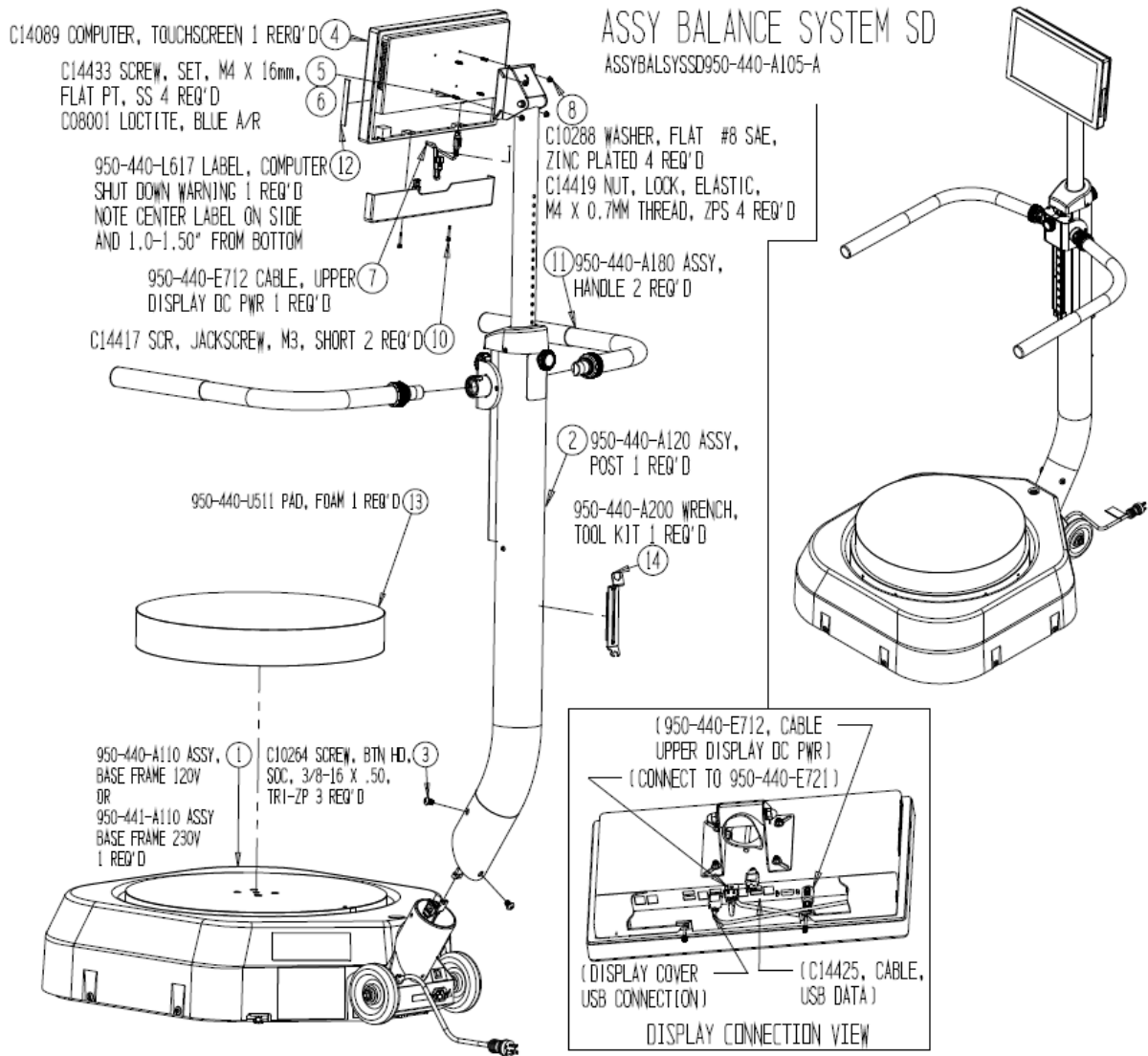
- Temperature: 15° C to 30° C (60° F to 86° F).
- Humidity Range: 30% to 75% (non-condensing).
- Atmospheric Pressure: 70kpa (10psi) to 106kpa (15psi).

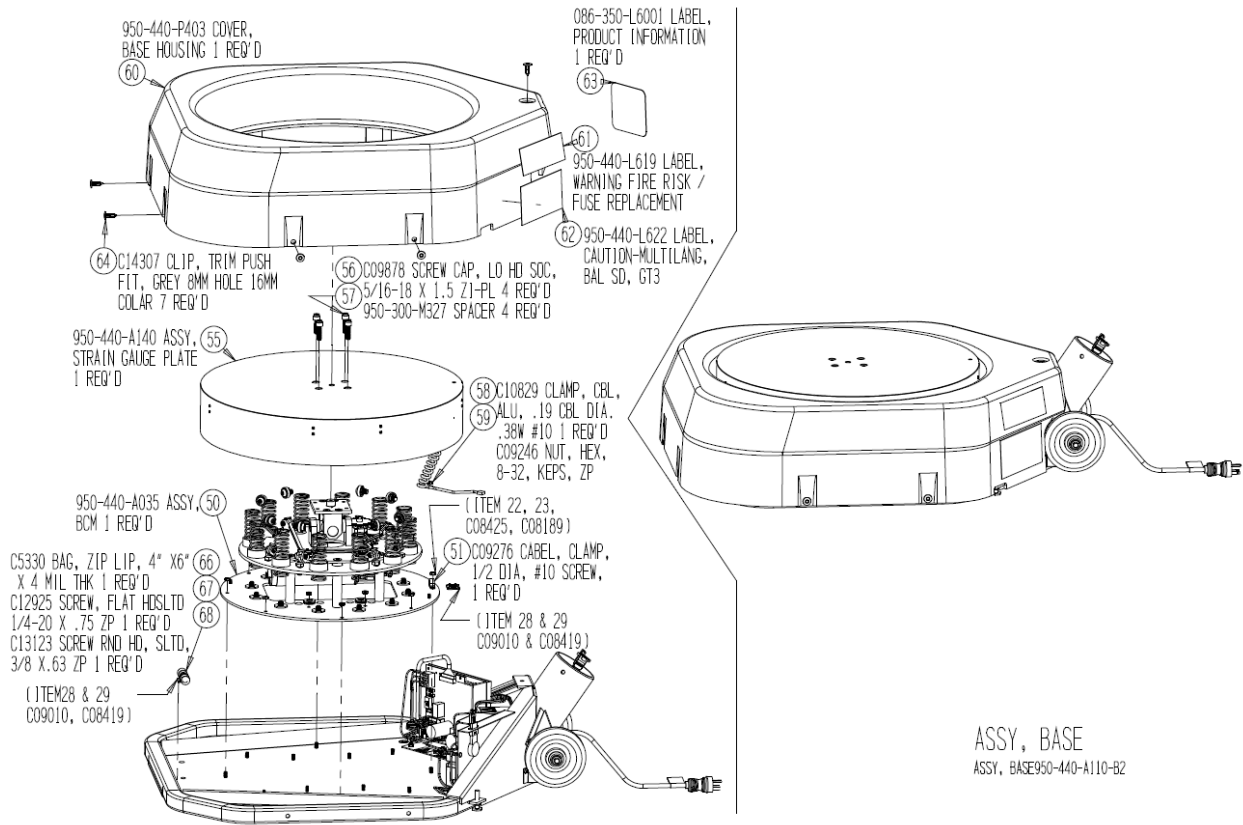
Storage Conditions

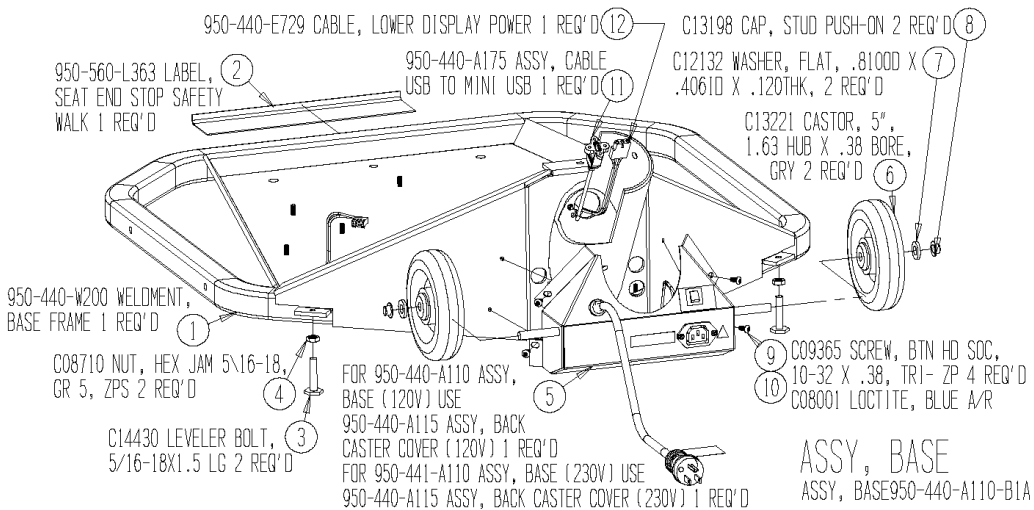
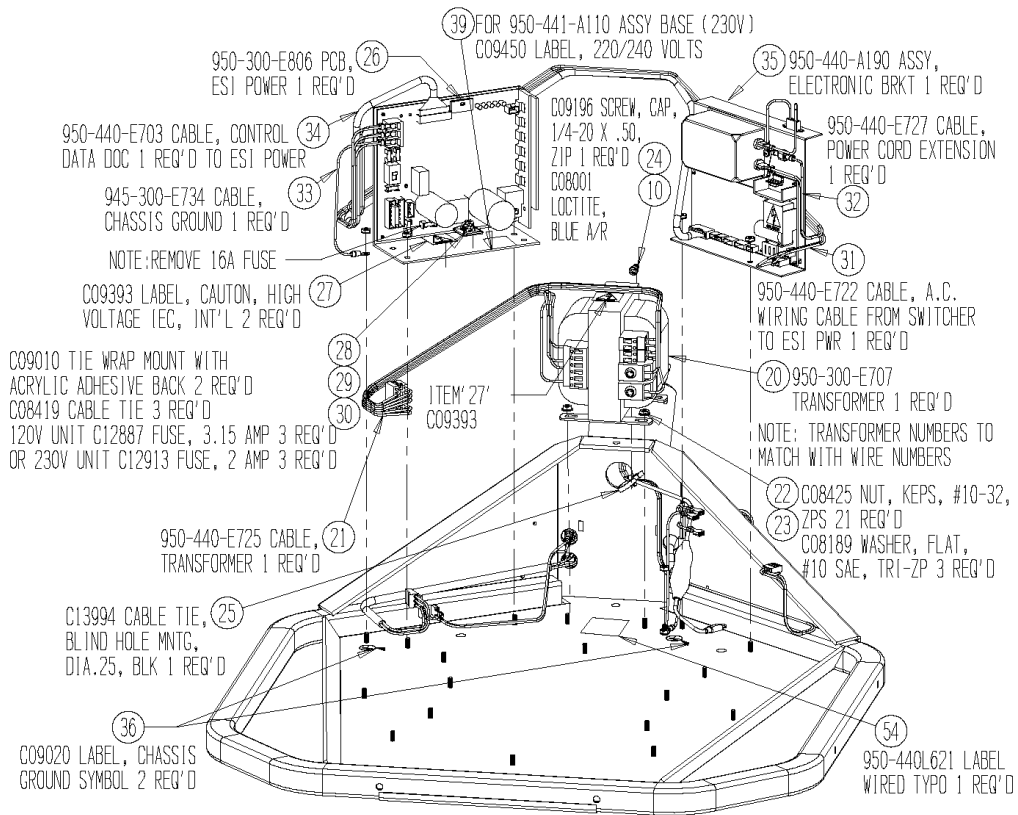
- Temperature: -20° C to 60° C (-4° F to 140° F).
- Humidity Range: 10% to 100%.
- Atmospheric Pressure: 50kpa to 101kpa (7psi to 15psi)

Water Resistance Rating: IPX0

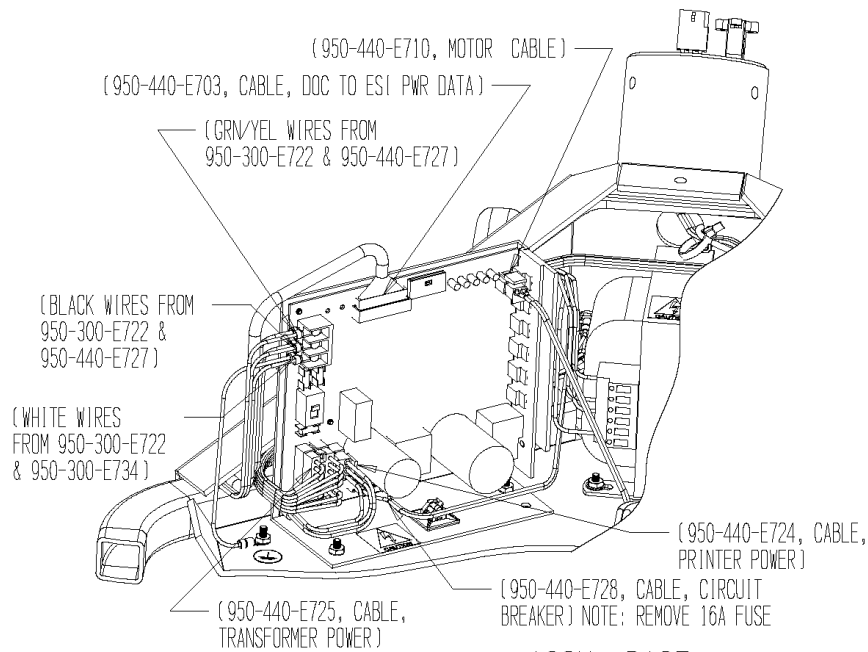
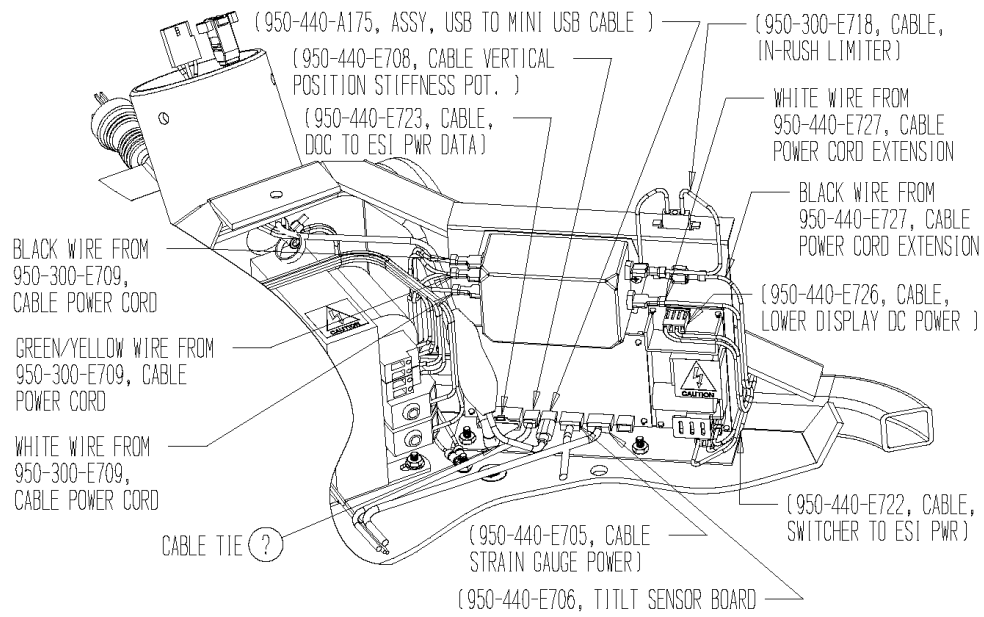
PARTS AND ASSEMBLY ILLUSTRATIONS



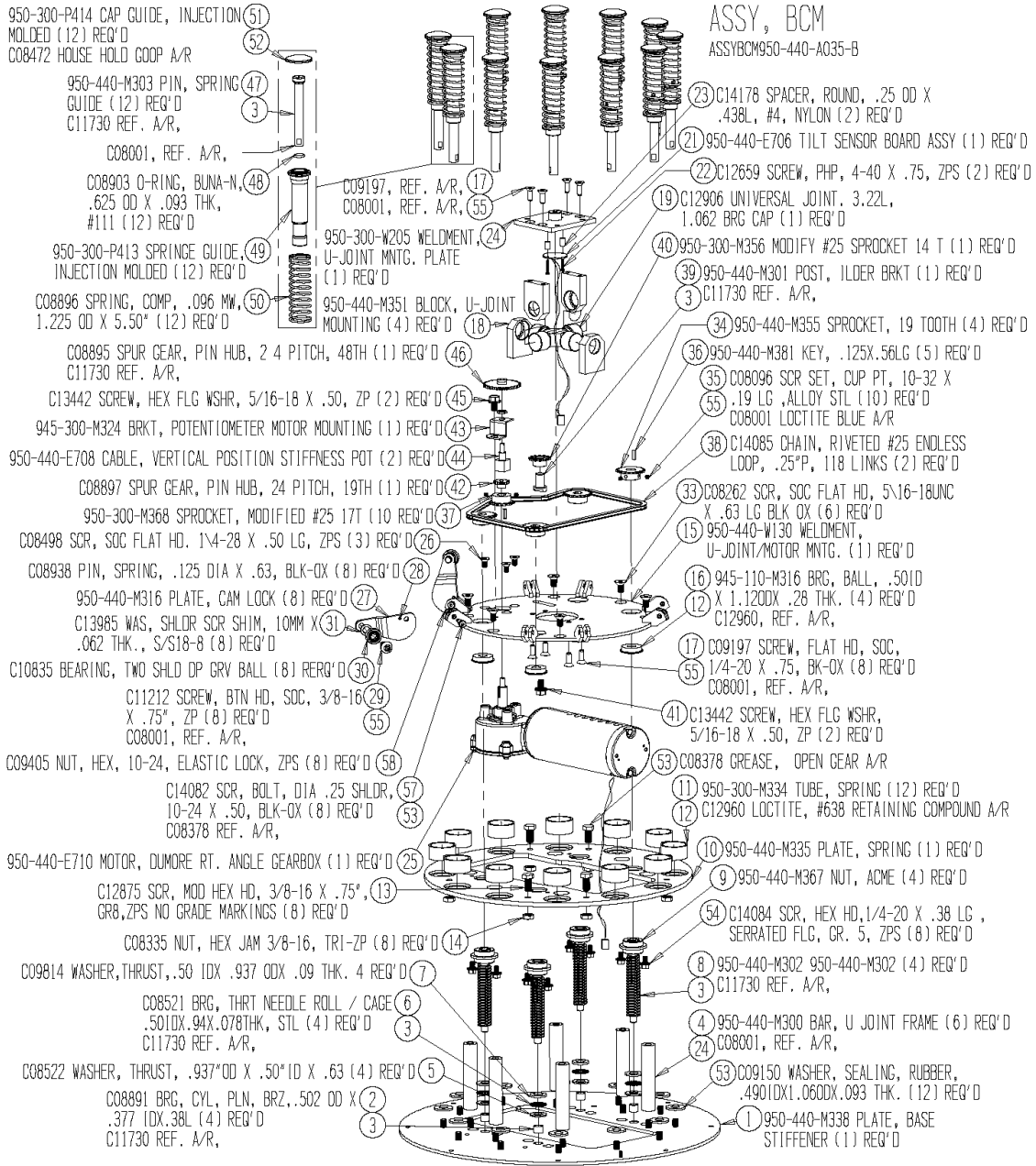




ASSY, BASE
ASSY, BASE 950-440-A110-B1A

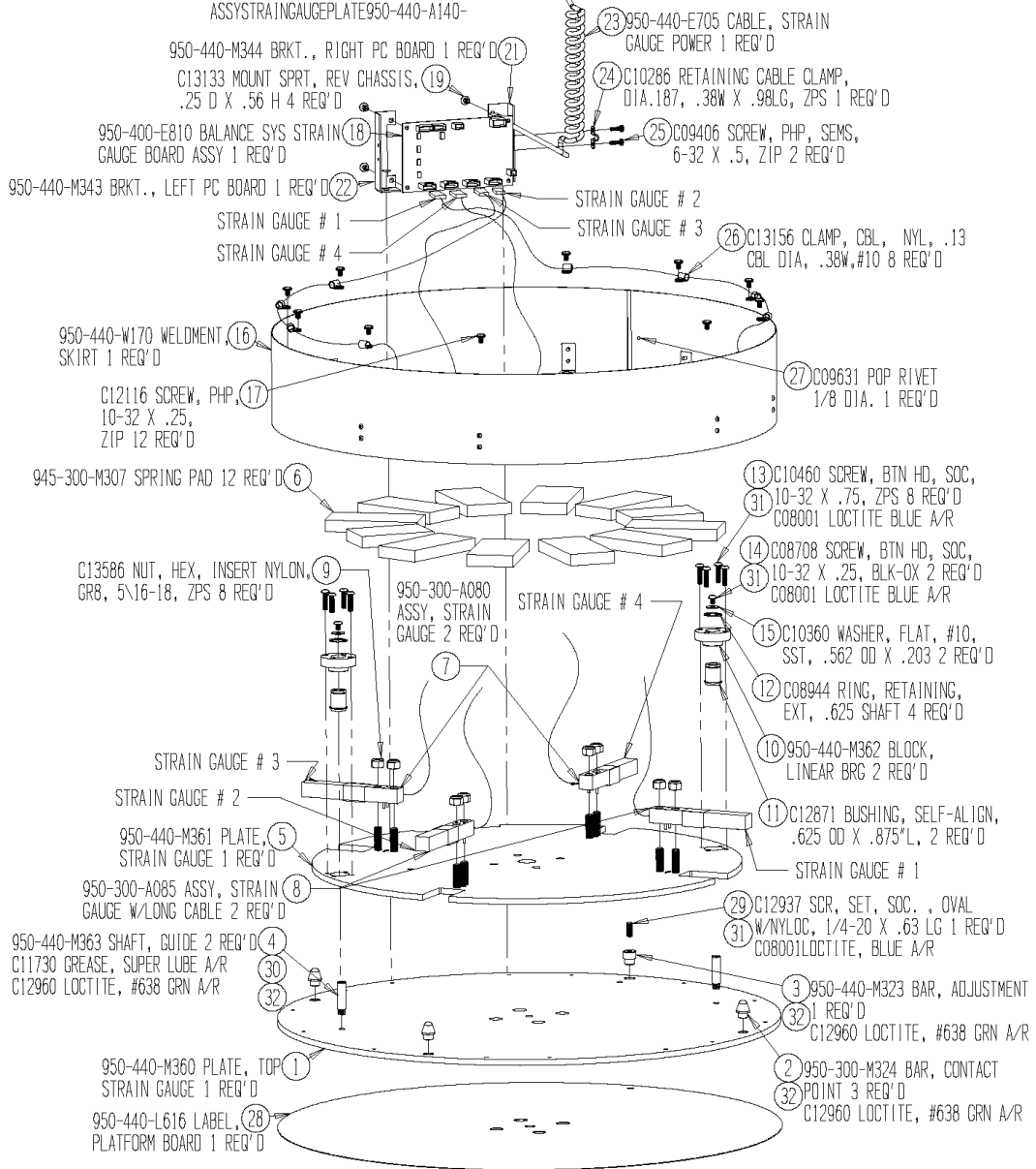


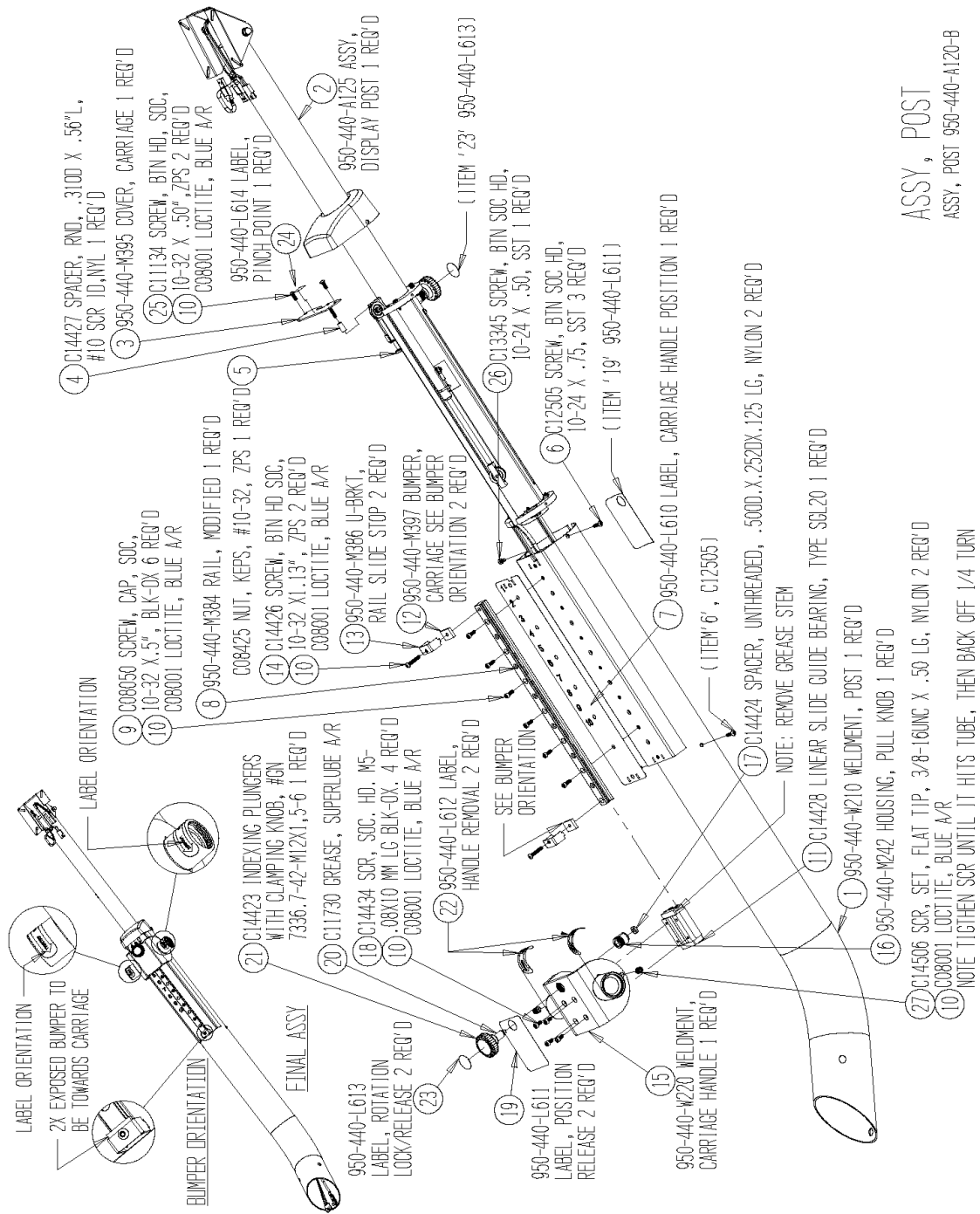
ASSY, BASE
 ASSY, BASE950-440-A110-B1B



ASSY, STRAIN GAUGE PLATE

ASSYSTRAININGAUCEPLATE950-440-A140-

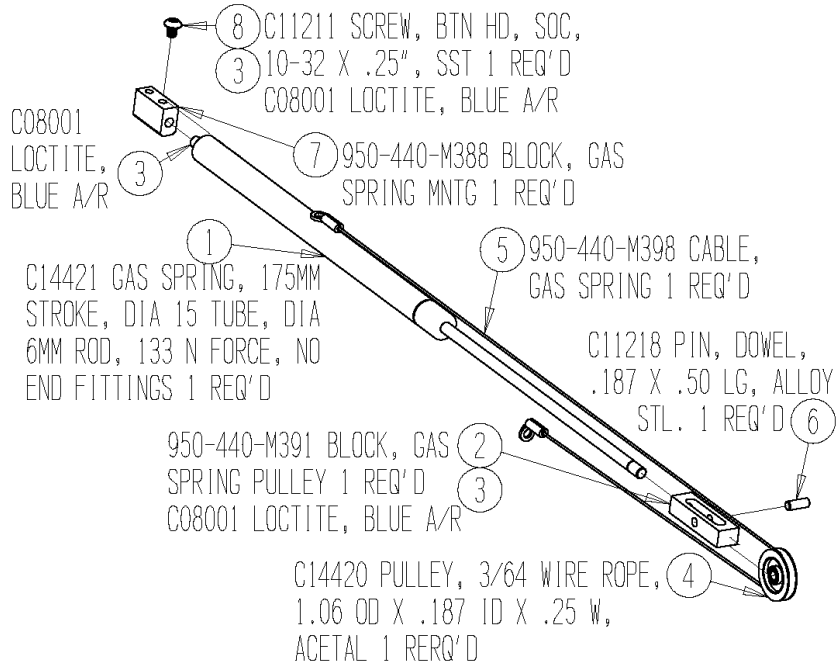




ASSY, POST
 ASSY, POST 950-440-A120-B

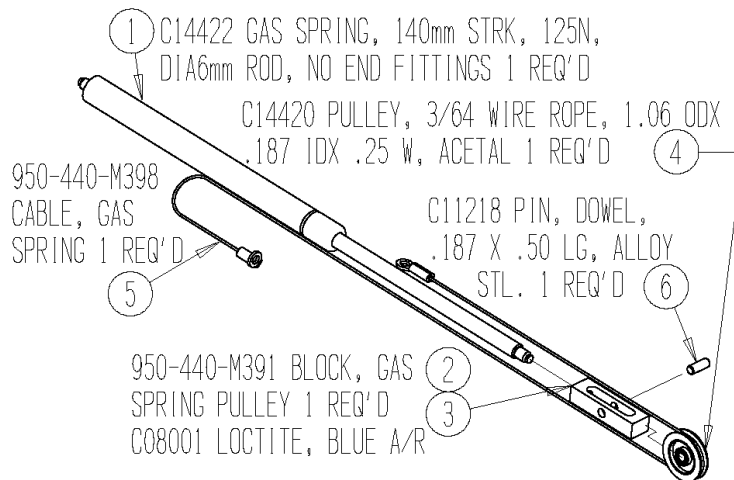
ASSY, DISPLAY GAS SPRING

ASSYDISGASSPRING950-440-A160-A



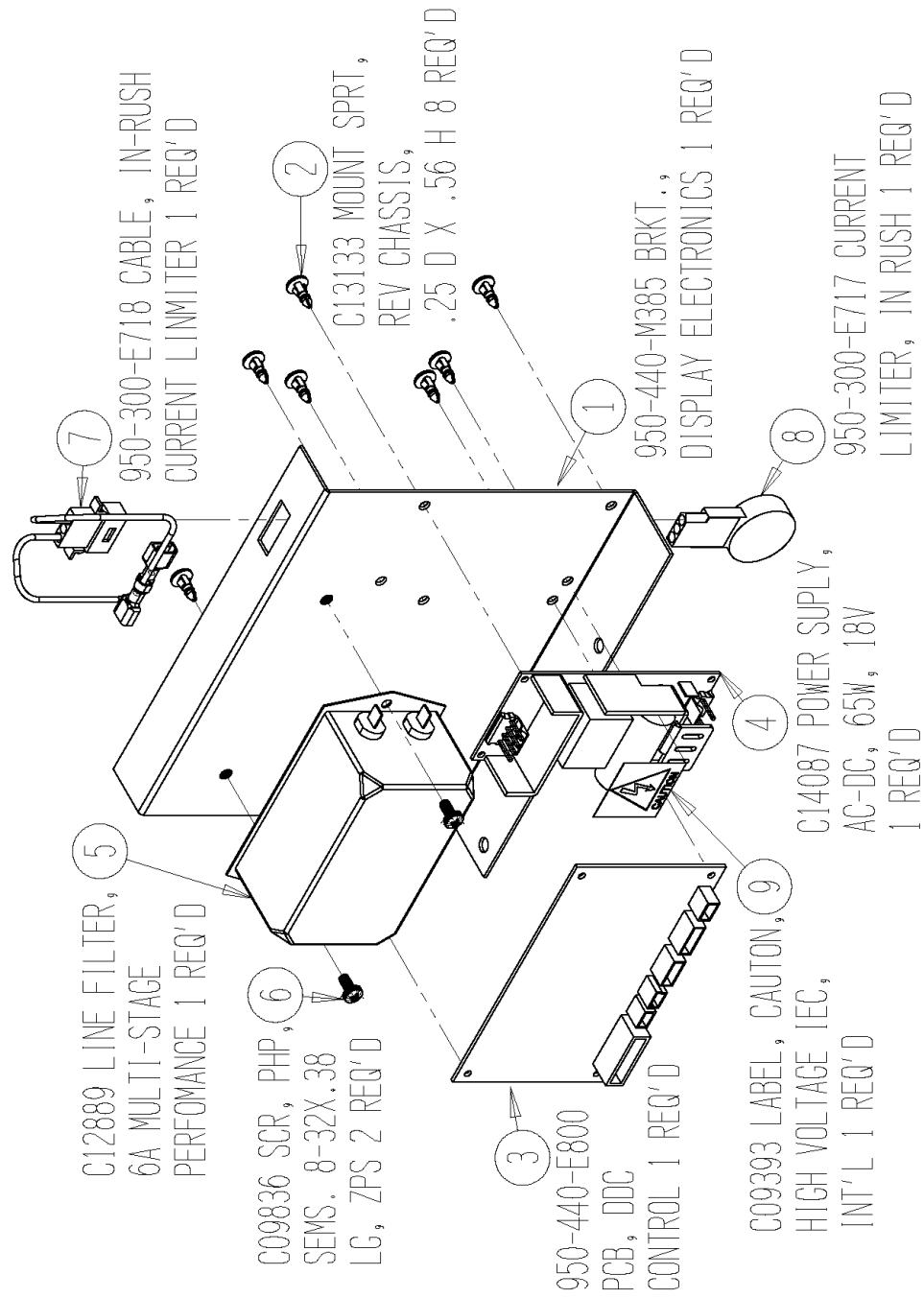
ASSY, CARRIAGE GAS SPRING

ASSYCARRGASSPRING950-440-A165-A

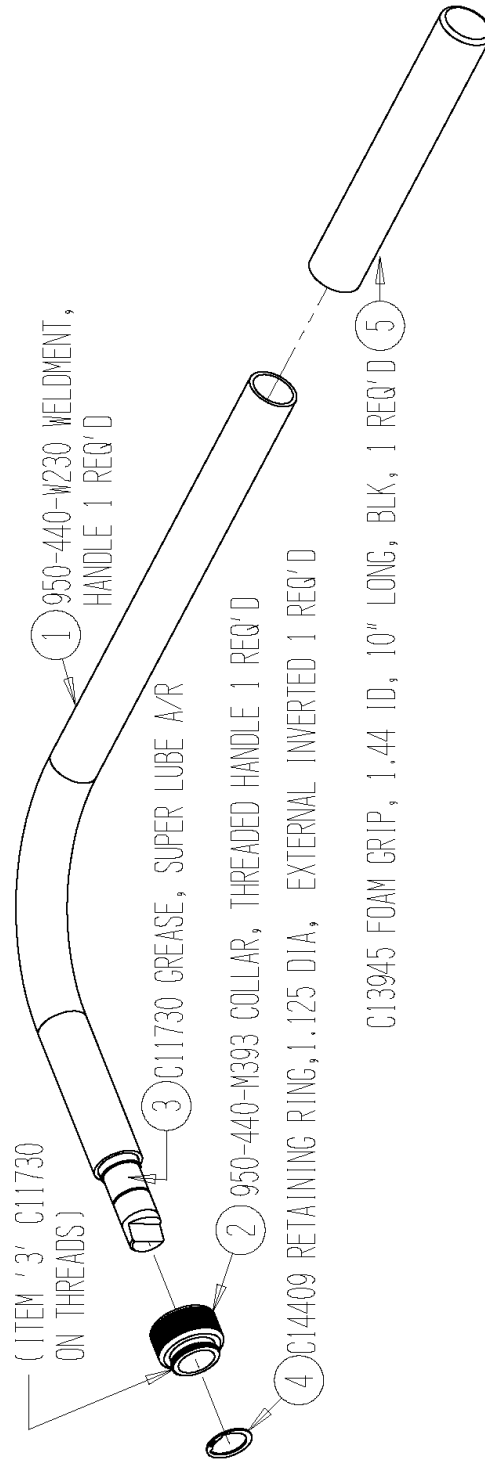


ASSY, ELECTRONIC BRKT

ASSYELECTRONICBRKT950-440-A190-A

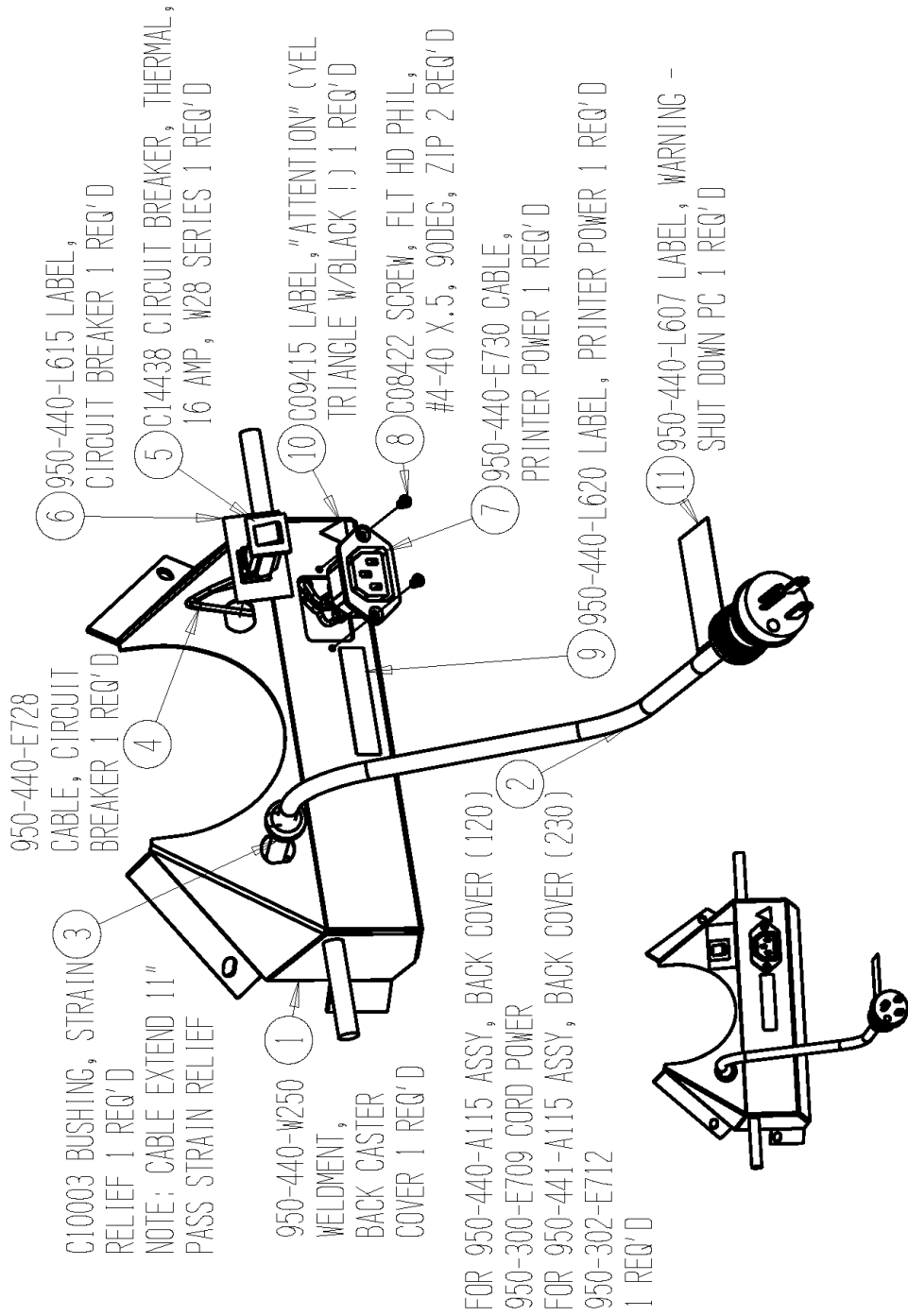


ASSY, HANDLE
 ASSYHANDLE950-440-A180-A



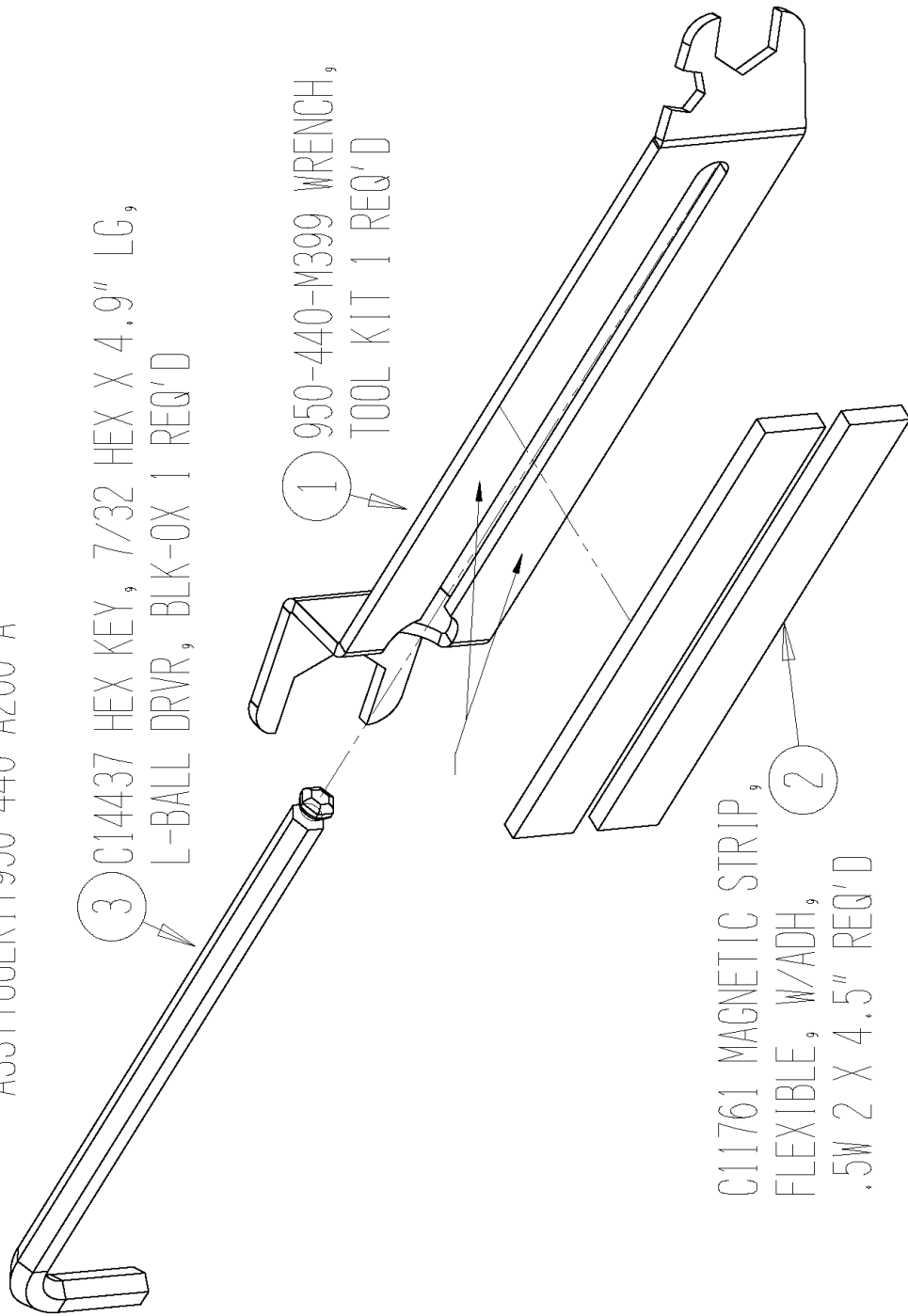
ASSY, BACK CASTER COVER

ASSYBACKCASTERCOVER950-440-A115-D



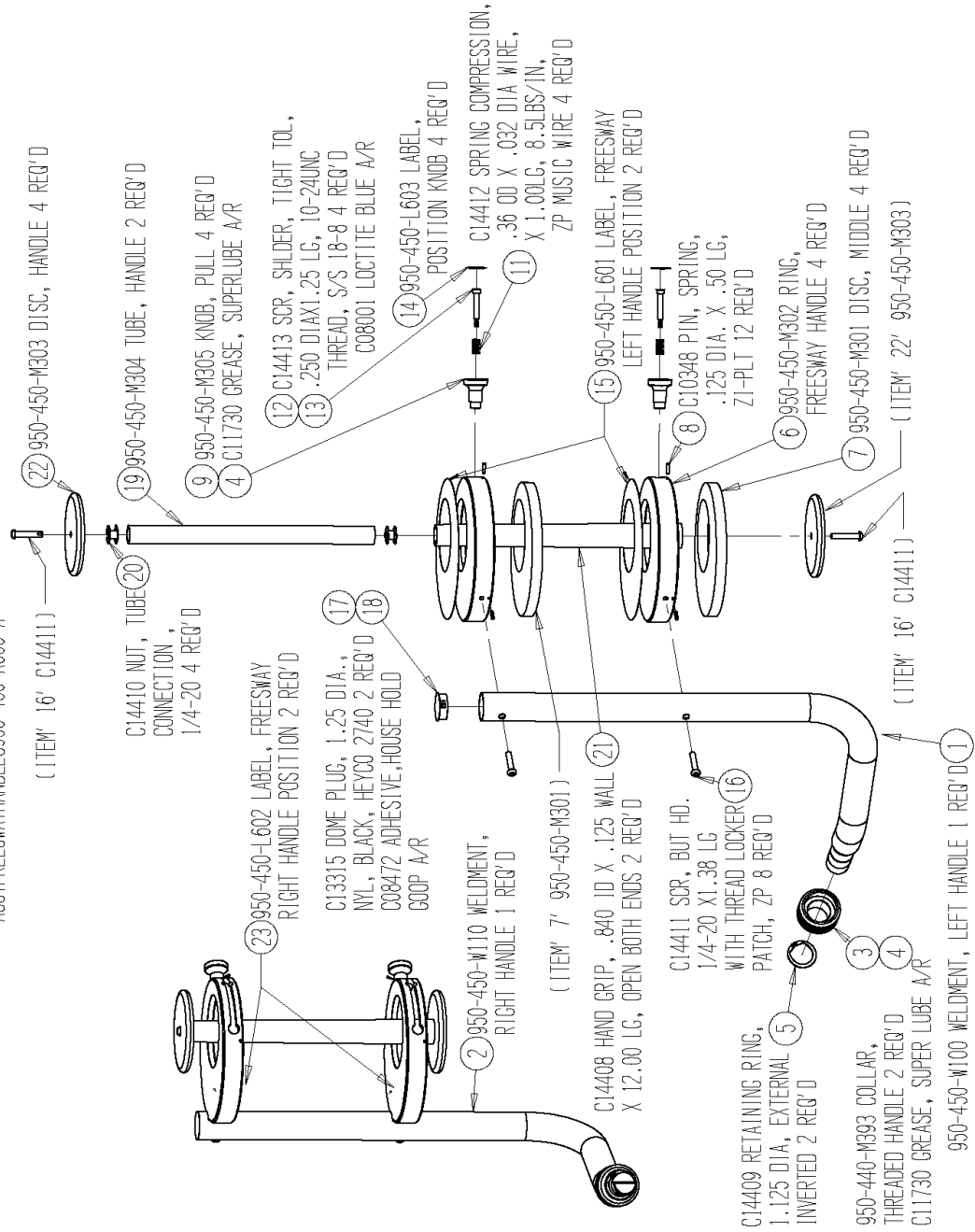
ASSY, TOOLKIT

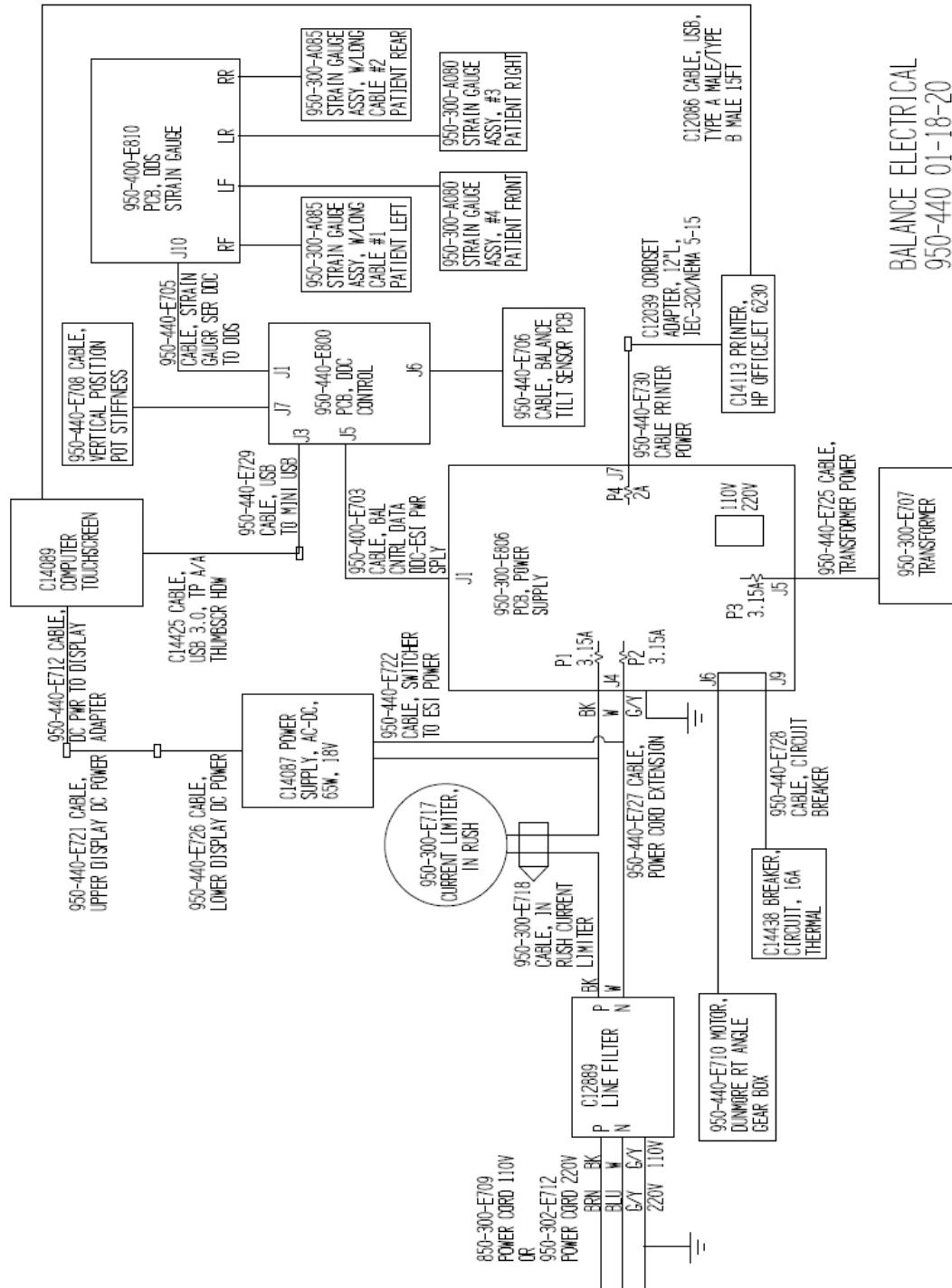
ASSYTOOLKIT1950-440-A200-A



ASSY, FREESWAY HANDLES

ASSYFREESWAYHANDLES950-450-A000-A





BALANCE ELECTRICAL
950-440 01-18-20

BIODEX

Biodex Medical Systems, Inc.

20 Ramsey Road, Shirley, New York, 11967-4704, Tel: 800-224-6339 (Int'l 631-924-9000), Fax: 631-924-9241, Email: info@biodex.com, www.biodex.com

