

GAIT TRAINER™ 3 (v3.X software)

PARTS AND ASSEMBLY ILLUSTRATIONS

950-400

950-401

950-402

950-403

950-404

950-405

950-406

950-407

950-408

950-413

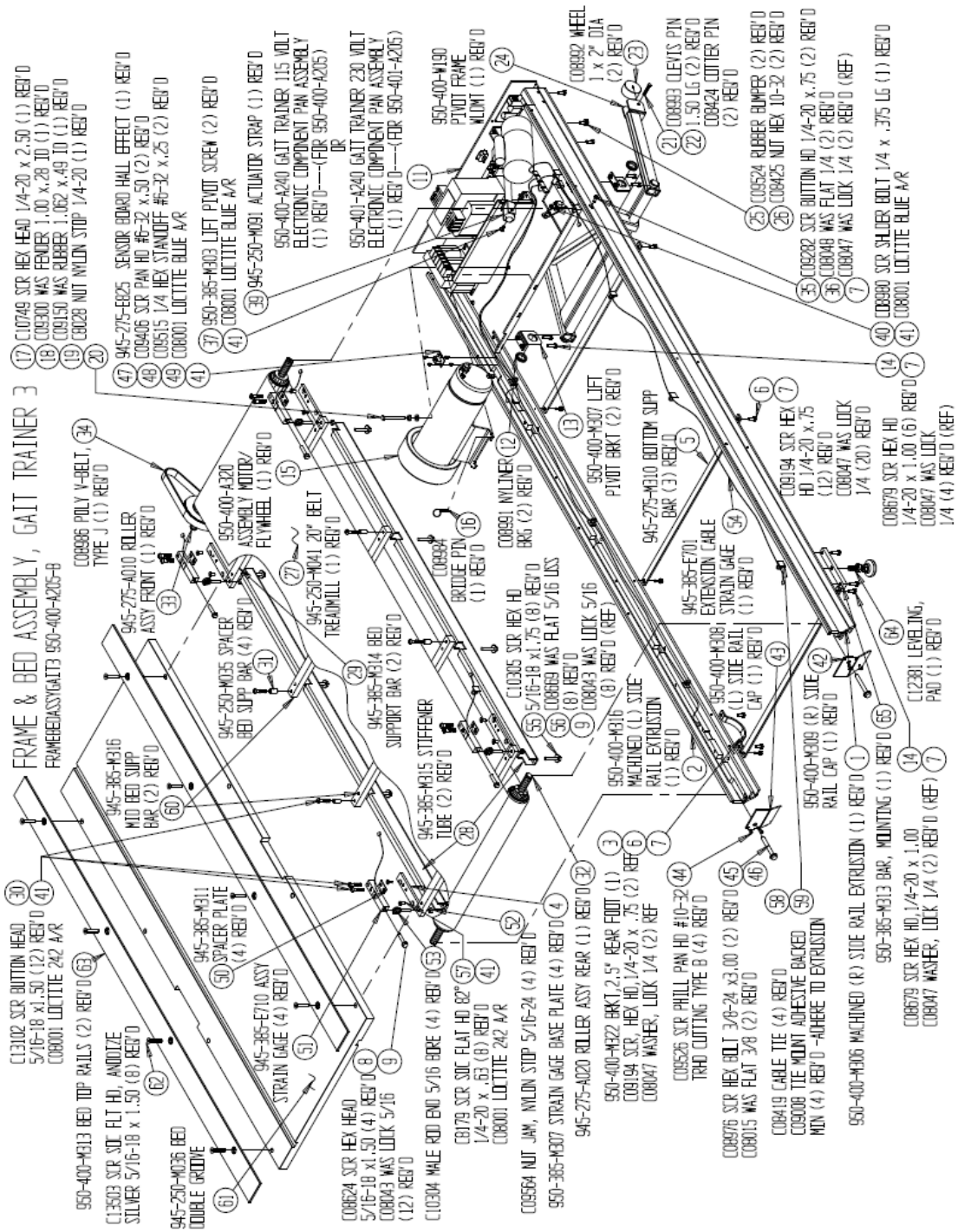
950-414



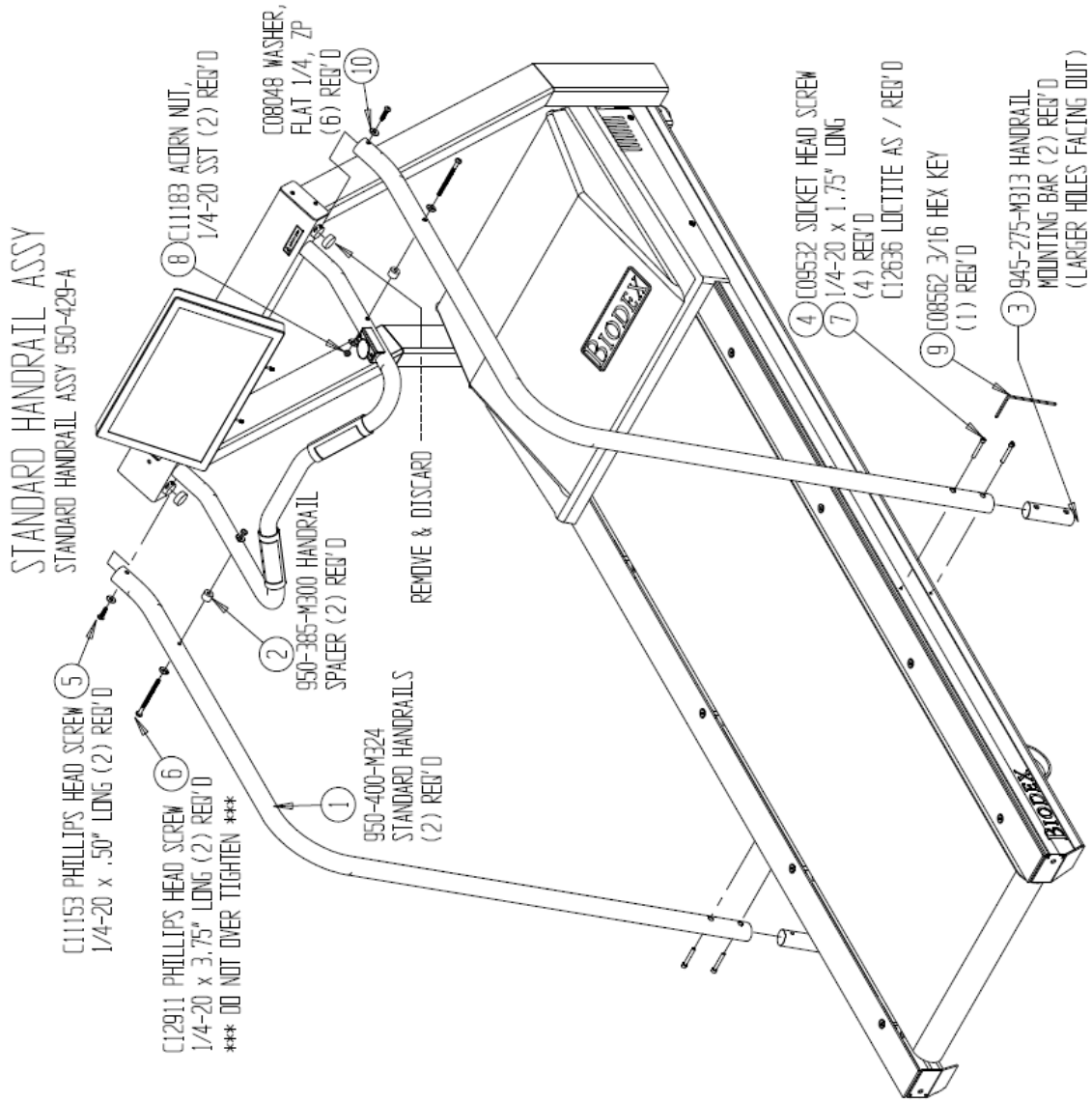
BIODEX

Biodes Medical Systems, Inc.

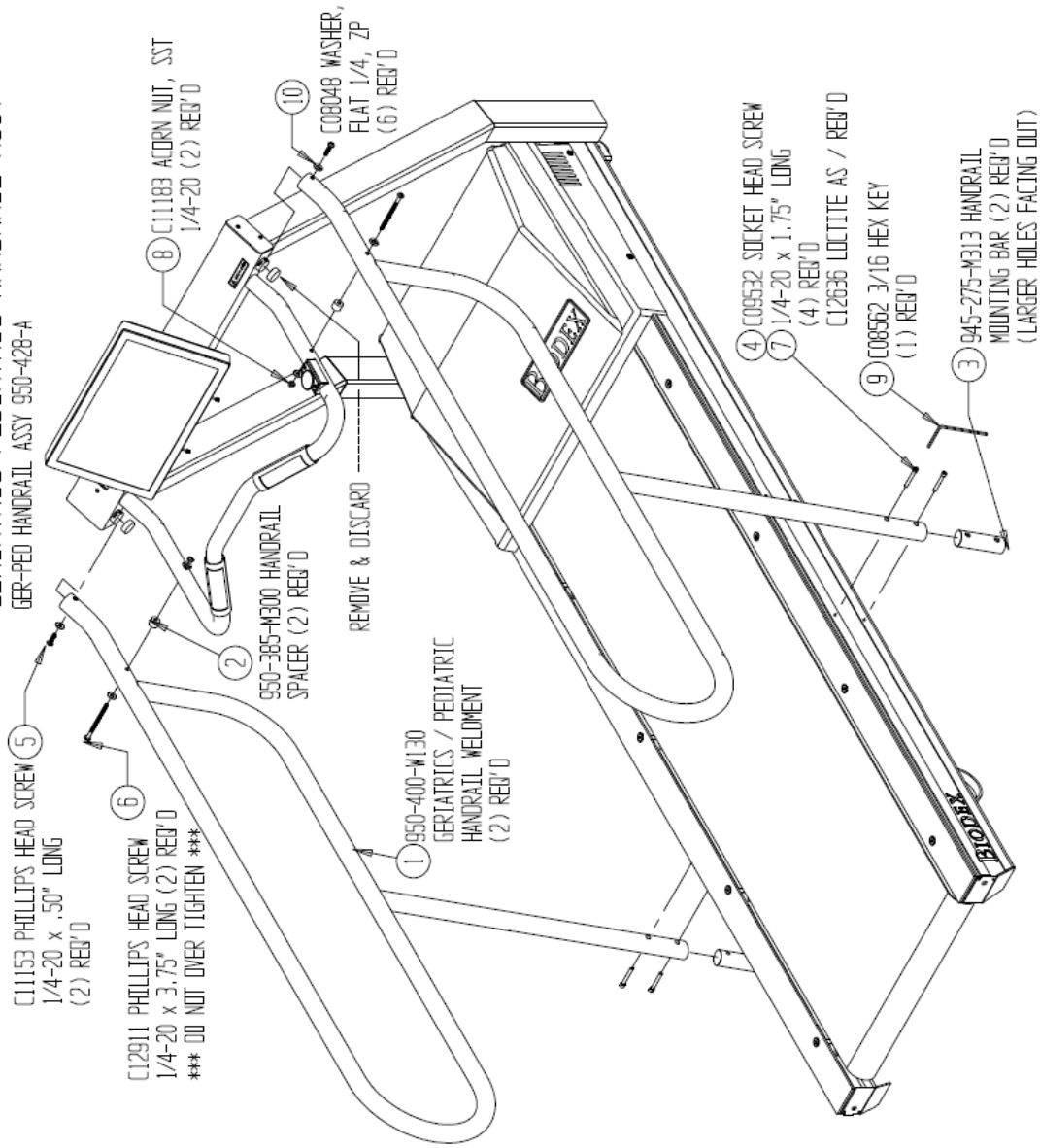
20 Ramsey Road, Shirley, New York, 11967-4704, Tel: 800-224-6339 (Int'l 631-924-9000), Fax: 631-924-9241, Email: info@biodes.com, www.biodes.com



Optional Parts



GERIATRIC/PEDIATRIC HANDRAIL ASSY
GER-PED HANDRAIL ASSY 950-428-A



BIODEX

Biodex Medical Systems, Inc.

20 Ramsey Road, Shirley, New York, 11967-4704, Tel: 800-224-6339 (Int'l 631-924-9000), Fax: 631-924-9241, Email: info@biodex.com, www.biodex.com

