

STABILIZATION ACCESSORIES FOR BIOSTEP® 2

FOR BASIC AND ADVANCED STABILIZATION KITS

INSTALLATION MANUAL

950-242
950-241



Foot Strap



Hand Strap



Seat Belt



Movable Armrest



Padded Foot Restraint



Pivoting Calf Support



Hand/Wrist Cuff

BIODEX

Biodex Medical Systems, Inc.

20 Ramsey Road, Shirley, New York, 11967-4704, Tel: 800-224-6339 (Int'l 631-924-9000), Fax: 631-924-9338, Email: info@biodex.com, www.biodex.com

STABILIZATION ACCESSORIES FOR BIOSTEP® 2

This manual covers installation procedures for the following products:

950-241 Stabilization Kit, Basic
950-242 Stabilization Kit, Advanced

This product can be used with the following product:

950-240 BioStep® 2, 100-230 VAC

CONTENTS OF BASIC STABILIZATION KIT (950-241)

This kit includes the following parts:

- Foot-Strap Brackets (2) with Hardware
- Adjustable Hook and Loop Foot Straps (2)
- Adjustable Hook and Loop Hand Strap (2)
- Seat belt and Buckle
- Armrests (2)

Installation of Foot Straps

(See Figures 1 and 2)

PARTS AND TOOLS INCLUDED:

Foot Straps (2)
Foot Strap Brackets (2)
8-32 x .5 Philips-head screws (2)

TOOLS REQUIRED:

Philips-head screwdriver

To install the Foot Straps, follow the steps below and refer to the following photographs and the installation drawing:

1. Attach a Foot-Strap Bracket to each Footplate Pivot Bracket with two 8-32 x .5 Philips-head Screws.
2. Loop one end of the strap through the slot on the Foot-Strap Bracket and the other end through the slot in the outer edge of the Footplate.
3. Adjust the hook and loop fastener to accommodate foot size.



Figures 1 and 2. Installing and Using the Foot Straps.

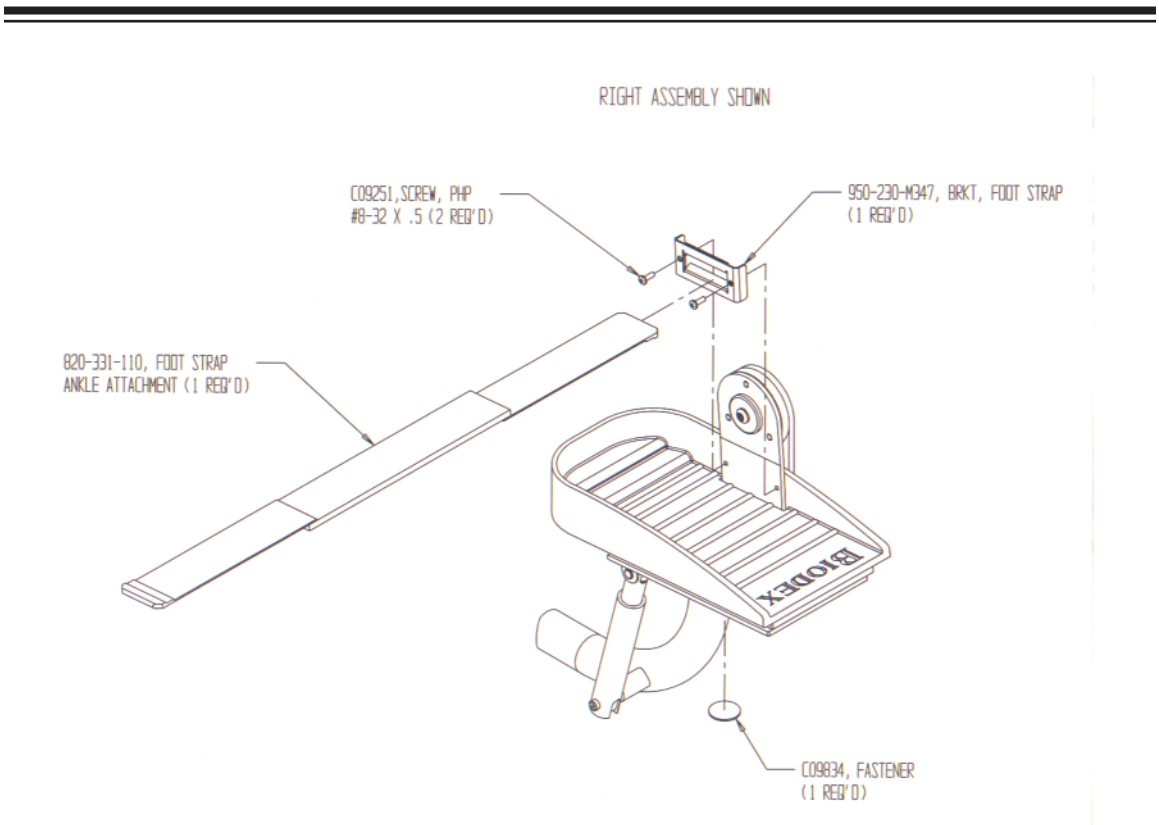


Figure 3. Foot Bracket assembly.

Installation of Hand Straps

(See Figures 4 and 5)

To install the Hand Straps, follow the steps below and refer to the following photographs:

1. Loop each strap through both slots on the outside (lateral side) of the handgrip.
2. Adjust the hook and loop fastener to accommodate hand size.



Figures 4 and 5. Installing and Using the Hand Straps.

Installation of Seat belt and Movable Armrests

(See Figure 6)

PARTS AND TOOLS INCLUDED:

Left and Right Armrest/Seat belt Brackets (2)
Seat belt Assembly (1)
7/16" -20 Locknuts (2)
7/16" -20 Hex Head Bolts (2)
7/16" Flat Washers (4)
T-40 mm Torx Screwdriver (not shown) (1)

TOOLS REQUIRED:

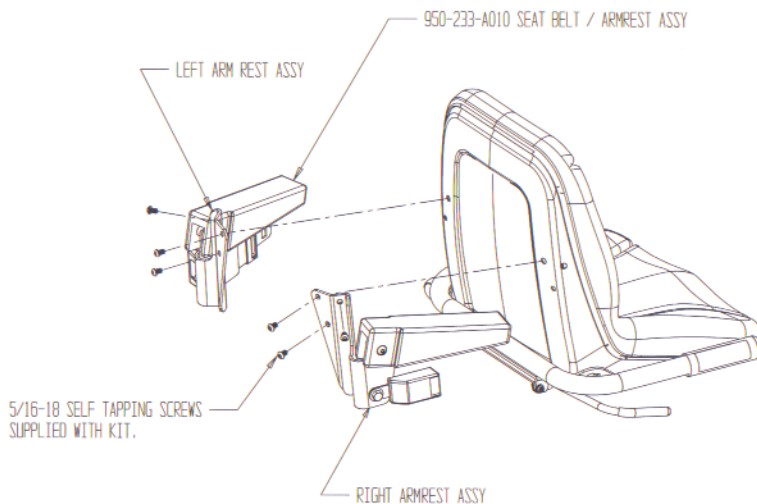
5/8" wrench (preferably a socket wrench)



Figures 6. Parts for the Armrest/Seat belt Installation

For installation of the Armrest/Seat belt Brackets, follow the steps below and refer to the installation drawing.

1. Remove the three 5/16" -18 self-tapping screws from each side of the seat back with the supplied Torx Screwdriver. DO NOT DISCARD - these will be reused in Step 2.
2. Attach the left and right Armrest/Seat belt Brackets using the three 5/16" -18 self-tapping screws removed in Step 1.
3. Install the Seat belt Assembly using the 7/16" -20 Hex Head Bolts, Washers, and Lock Nuts.
4. Check all components and fasteners to ensure that they are properly installed and functioning correctly.



Figures 7. Seat belt and armrest assembly.

CONTENTS OF ADVANCED STABILIZATION KIT (950-242)

This kit includes the following parts:

- Padded Foot Restraint (2)
- Foot Brackets (2)
- ¼-20 Button-head screws (2)
- Pivoting Calf Support (2)
- Hand/Wrist Cuff (2)

Installation of Padded Foot Restraints

(See Figures 8-10)

PARTS AND TOOLS INCLUDED:

Foot Restraint Brackets (2)
¼-20 Button-head screws (4)

TOOLS REQUIRED:

5/32" hex key

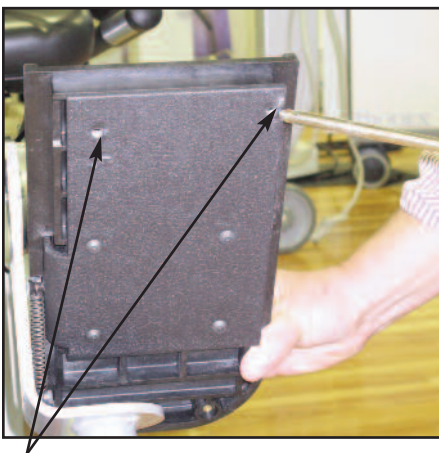


Figure 8.

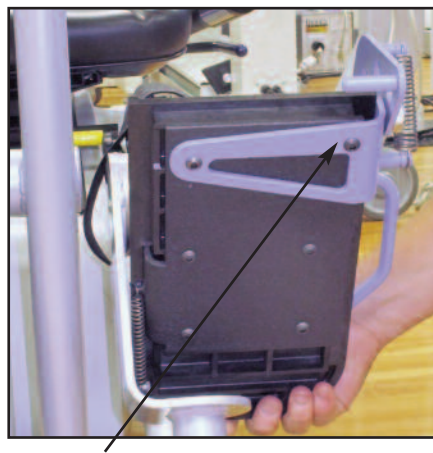


Figure 9.

To install the Padded Foot Restraint, follow the steps below:

1. Foot restraint will fasten to the underside of the footplate. There will be two threaded holes (see Figure 8).
2. Install bracket as shown (see Figure 9) using the two ¼-20 Button-head screws.



Figure 10. When completed, Foot Restraint should look like this.

Installation of Pivoting Calf Supports

(See Figures 11-13)

PARTS AND TOOLS INCLUDED:

Left and Right Calf Support Brackets (2)
¼-20 Button-head screws (6)

TOOLS REQUIRED:

5/32" hex key
11/16" (18 mm) open-end wrench and/or socket

To install the Pivoting Calf Supports, follow the steps below:

1. Install bracket as shown (see Figure 11) using three ¼-20 Button-head screws.
2. Install Calf Support on inside of bracket.
NOTE: A shoulder bolt is used. Use the black washer with the shoulder bolt. This threads into the bracket.
3. Tighten shoulder bolt with a 11/16" wrench or socket.
NOTE: Calf Support should pivot.

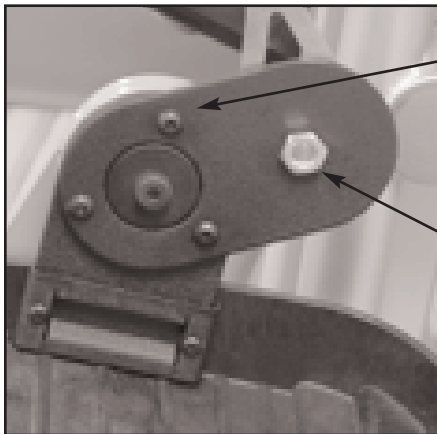


Figure 11.



Figure 12.



Figure 13. When completed, Pivoting Calf Support should look like this.

Installation of Hand/Wrist Cuffs
(See Figure 14)

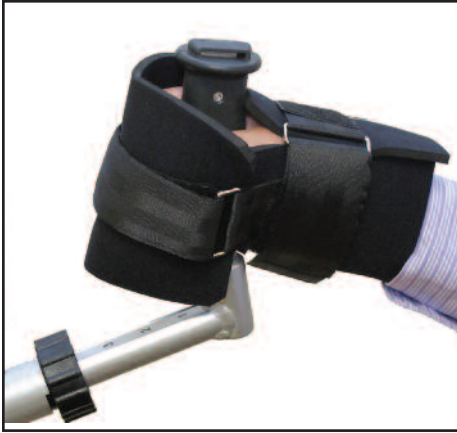


Figure 14.

No Tools Required.

1. Hand/Wrist Cuff simply wraps around hand and wrist while hand grasps handgrip (see Figure 14).
2. Adjust straps as needed.



Certified Quality Management System

BIODEX

Biodex Medical Systems, Inc.

20 Ramsey Road, Shirley, New York, 11967-4704, Tel: 800-224-6339 (Int'l 631-924-9000), Fax: 631-924-9338, Email: info@biodex.com, www.biodex.com